

# GS506-V1

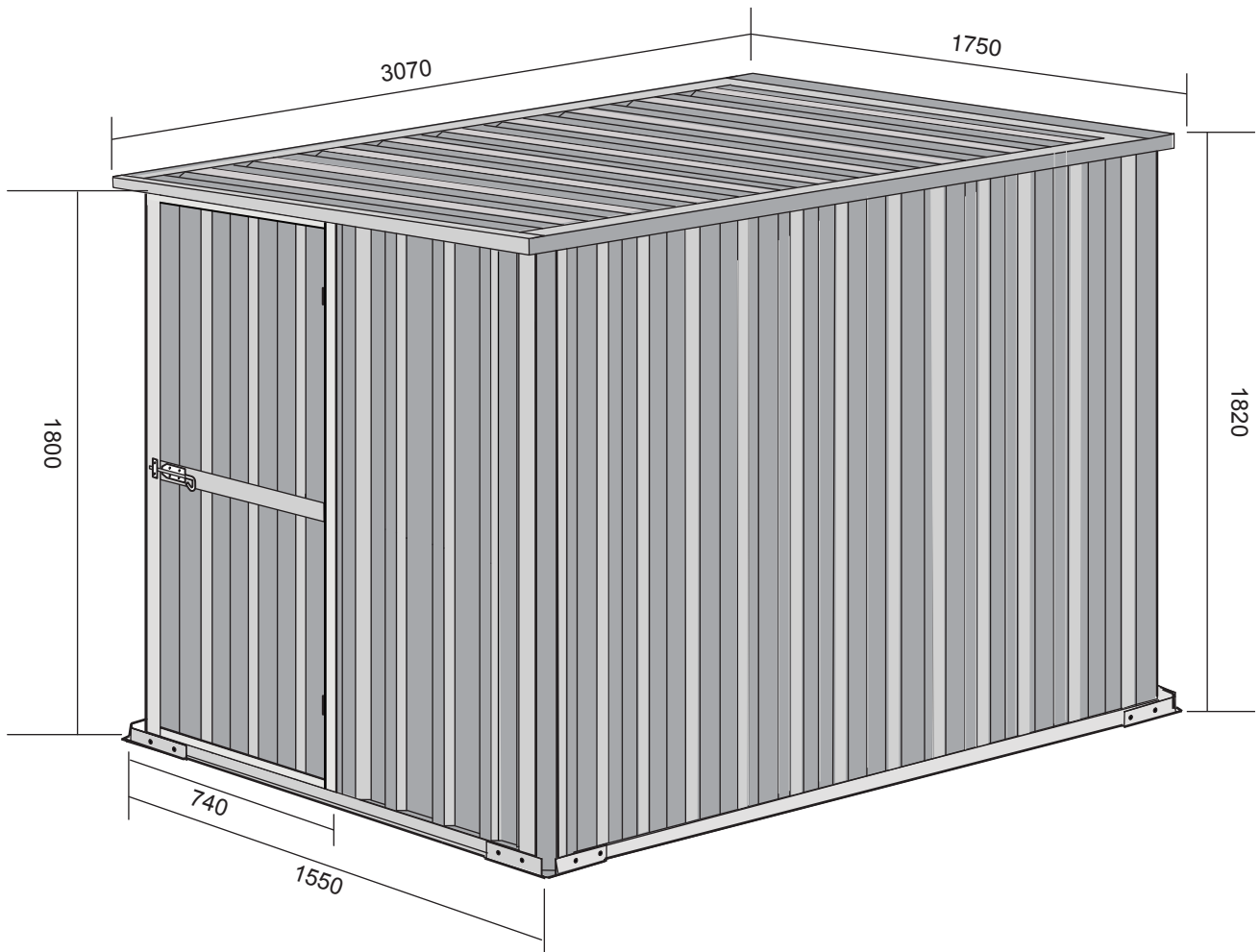
GARDEN SHED OWNER'S MANUAL  
AND ASSEMBLY INSTRUCTIONS

Overall Size: 1750 x 3070 x 1820mm

Shed Size: 1550 x 3070 x 1800mm

Door Size: 740 x 1750mm

Floor Size: 1510 x 3030mm



GARDEN SHED OWNER'S MANUAL  
AND ASSEMBLY INSTRUCTIONS

**tradetested**

TRADE PRICES DELIVERED NATIONWIDE

# Before You Begin

---

- Check local building codes regarding shed location and any other local requirements.
- Check the packing list on page iv to make sure you have all of the necessary parts.
- Separate everything in the cartons by the part number while reviewing the parts list.
- Be sure the day you select to build your shed is dry and calm.
- Whenever possible, two or more people should work together to assemble the shed.  
We suggest that one person positions parts while the other handles the fasteners and tools.

# Selecting & Preparing Your Site

---

Before assembly, decide on a location for your building. We recommend a level area with good drainage. Allow enough space around the building so there's plenty of room to screw the panels and then move the different parts into position. Remember to leave plenty of room for the door to fully open.

# You Will Need...

---

- An electric drill/driver
- A Phillips screwdriver
- Gardening or work gloves
- Sealant or caulking gum (optional )
- Step ladder
- Tape measure

# Safety First

---

Safety precautions are important to follow throughout the construction of your building.

- Take care when handling the various pieces of your building since some contain sharp edges. Please wear work gloves, eye protection and long sleeves when assembling or performing any maintenance.
- Keep children and pets away from your worksite to avoid distractions and any accidents .
- Never concentrate all your weight on the roof of the structure. When using a step ladder make sure it's fully open and on a level surface.
- To avoid any damage, do not attempt to assemble the building on a windy day. The larger panels can act as sails making construction difficult and unsafe.

# Flooring & Foundations

---

A solid shed starts with a level floor and foundation. This is the single most important factor in making your shed as watertight and stable as possible. It also makes the assembly process as simple as possible. We recommend the following foundation options:

## **OPTION 1 - WOODEN FLOOR**

We sell wooden floor kits designed to match your shed. Alternatively you can build your own using H4 treated bearers and timber floorboards.

## **OPTION 2 - CONCRETE SLAB**

For a more permanent solution, or for large sheds, we recommend a concrete foundation.

Regardless of which flooring option you choose

- Build on a compacted and levelled base layer
- Plastic sheeting placed under the wood or concrete will prevent moisture wicking through
- We recommend the foundation is the same size as the footprint of your shed to prevent water ingress

# Assembly Overview

---

**Step 1:** Check all parts against the component list

**Step 2:** Assemble the rear wall panels

**Step 3:** Assemble the side wall panels

**Step 4:** Assemble the front wall panel

**Step 5:** Assemble the roof panels

**Step 6:** Assemble the doors

**Step 7:** Constructing the walls

**Step 8:** Installing the roof

**Step 9:** Fitting Wall Bracing

**Step 10:** Fitting the door

## Handy Tips Before You Begin

---

**How to drill rivet holes in panels** – Use a 4.2mm drill bit, set your drill clutch to the drill bit icon. Make a mark where you want to drill and use this to start the hole.

**Drilling tek-screws** – Drilling tek screws into the panels can sometimes cause the corrugation to buckle in, making it tricky to get the screw all the way in. An easy fix for this is to place a small block of wood underneath the corrugation as you drill, providing support for the panel until the screw is all the way in. Make sure the block is not directly underneath the screw.

**How to remove rivets if needed** – Don't worry if you have placed a rivet incorrectly or you need to adjust a panel, they are easy to remove. Just drill directly through the top of the rivet using the same drill bit you used to make the hole. This will remove the rivet head, causing the whole rivet to fall out.

### OTHER TIPS

- Very Important – make sure you remove metal drill filings to prevent corrosion and scratches. Removing metal filing and avoiding scratching the shed during assembly will help prevent any corrosion later on.
- Peel off part number stickers and clean with soap/water.
- Use silicone to further weatherproof seals around the shed (not included).

# **ASSEMBLY INSTRUCTIONS**

# GS506-V1

**STEP 1** Check all parts against the component list

## PARTS LIST

Please check your contents prior to starting assembly

ITEM	NAME	SIZE (mm)	QTY	PART #
1	Front Wall	410 x 1800	2	W180
2	Rear Wall	410 x 1800	4	W180
3	Roof Panel	410 x 1750	8	P175
4	Side Wall	410 x 1800	16	W180
5	Rear Wall Channel	1550	2	U155
6	Side Wall Channel	1550	8	U155
7	Roof Channel	1550	4	U155
8	Roof Channel	1750	2	G175
9	Front Wall Channel	1550	2	U155
10	Left Door Frame	1800	1	U180
11	Right Door Frame	1800	1	MR180
12	Door Top Frame	745	1	Z0745
13	Door Bottom Frame	745	1	U0745
14	Wall Bracing	1300	8	Z130
15	Corner Anchor		8	
16	Hook Anchor		4	
17	Tek Screws		200	
18	Wood Anchor Screws		10	
19	Rivet		50	
20	Corner Cover		4	
21	Spacer		50	
22	Rivet Gun		1	
23	Tek Screwdriver Bit		1	
24	φ4.2 Drill Bit		1	
25	Screw Head Sheath		30	
26	Phillips Head Screws		20	

### DOOR PART

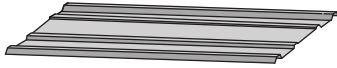
ITEM	NAME	SIZE (mm)	QTY	PART #
27	Door Panel	410 x 1750	1	E175 x 410
28	Door Panel	350 x 1750	1	E175 x 350
29	Door Channel	740	2	U074
30	Door Channel	1750	2	U175
31	Door Square tube	1730	1	D173
32	Door Bar	740	1	H074
33	Door Brace	1110	2	Z111
34	Bolt		1	Bolt
35	Hinge		2	Hinge



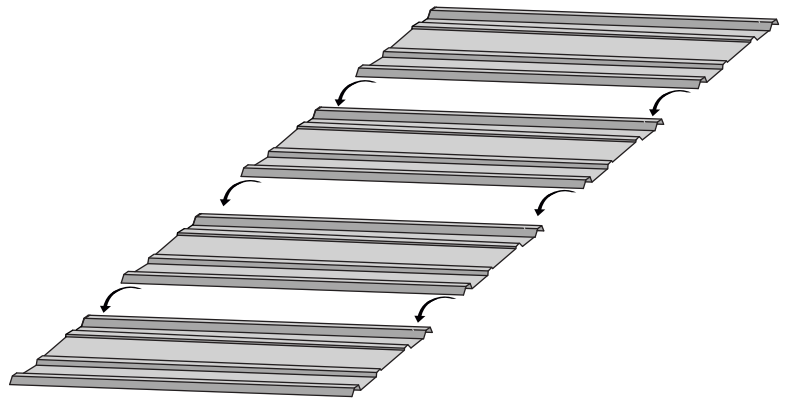
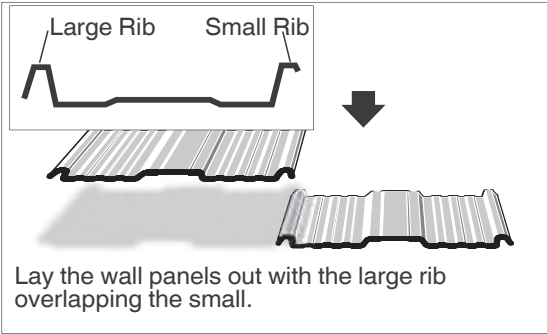
If you're missing anything, just head to the Trade Tested website and get in touch.

## STEP 2 Assemble the rear wall panels

a

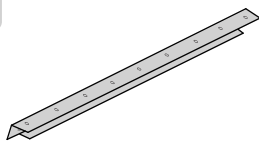


Part #W180 x4

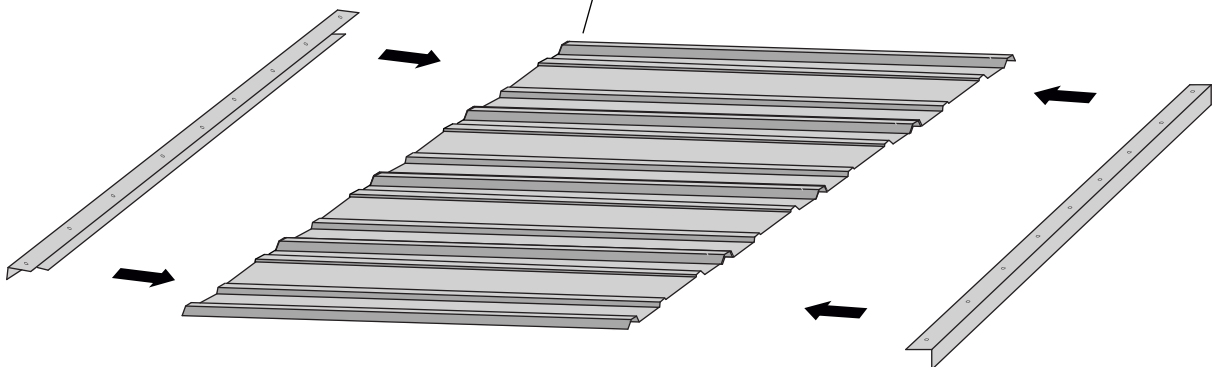
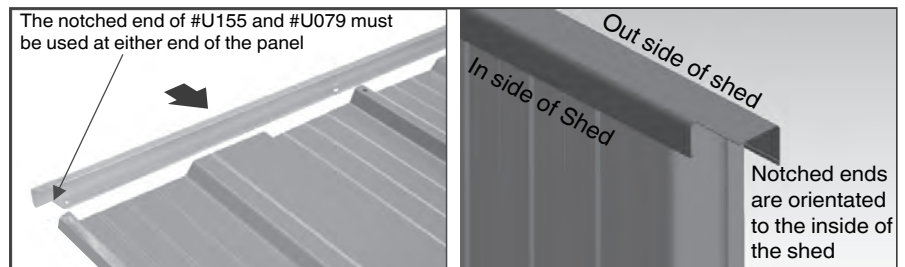


**i** All panels should overlap by one corrugation.

b



#U155 x2



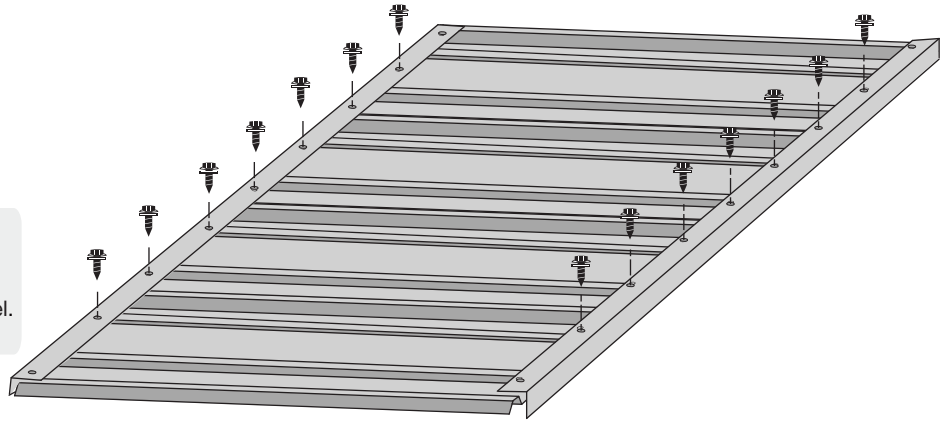
**i** All pre-drilled holes should line up with the peaks of the steel sheet. If this varies squeeze together or stretch out the panels to make sure they line up.

C



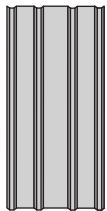
Tek Screw

i Screw from the outside in, as per the pre-drilled holes in the frame. Do not add screws to the top and bottom holes at each end of the panel. These need to be left undone.

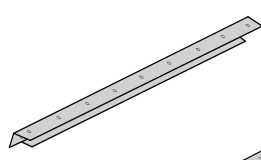


### STEP 3 Assemble the side wall panels

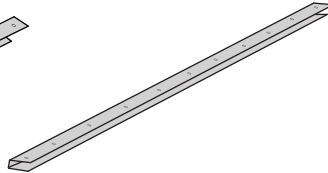
a



#W180x16



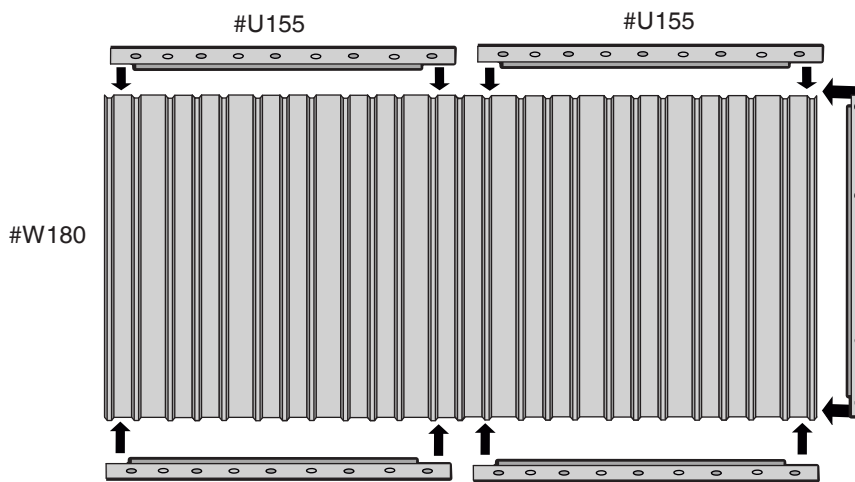
#U155x8



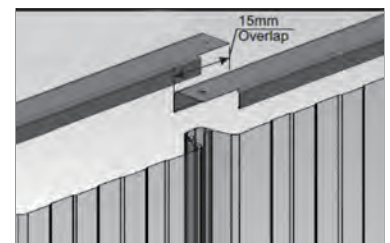
#U180x1



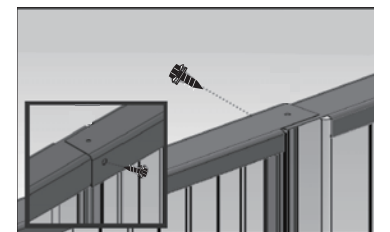
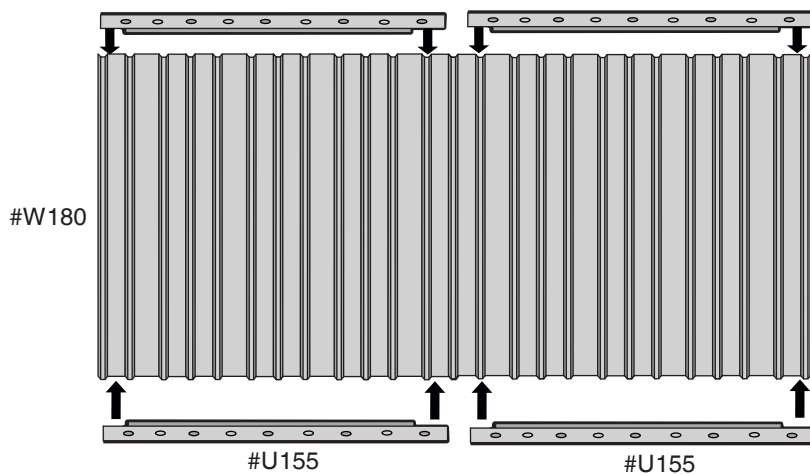
Joint outside



Joint inside



U-channel joint



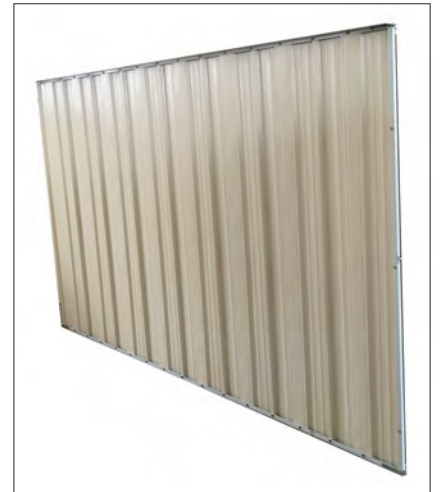
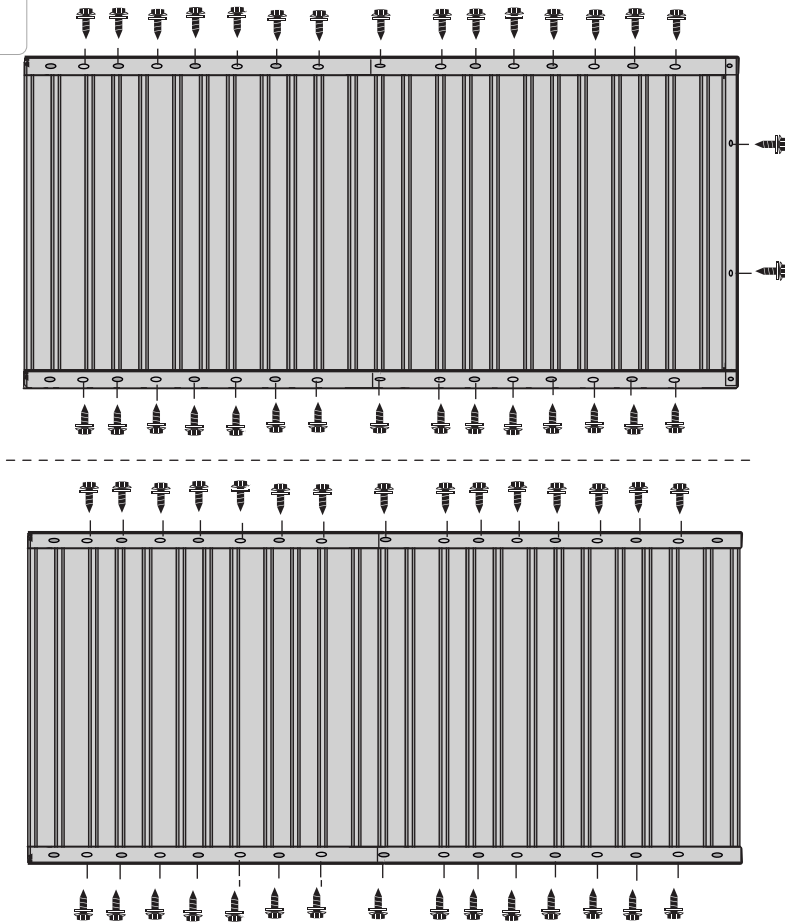
Drill screw in joint



b



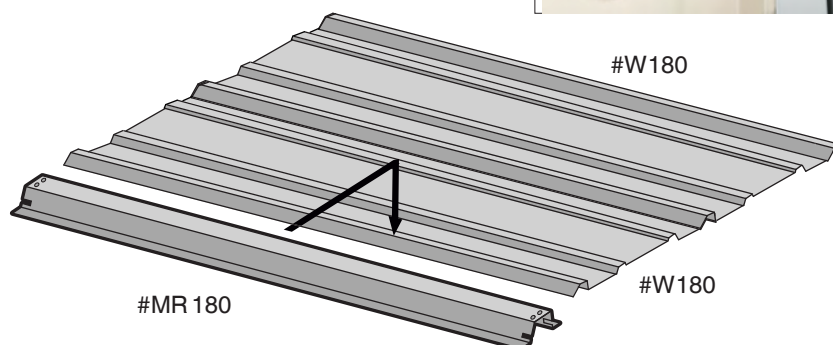
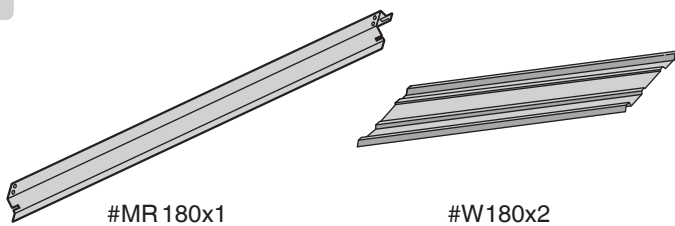
Tek Screw



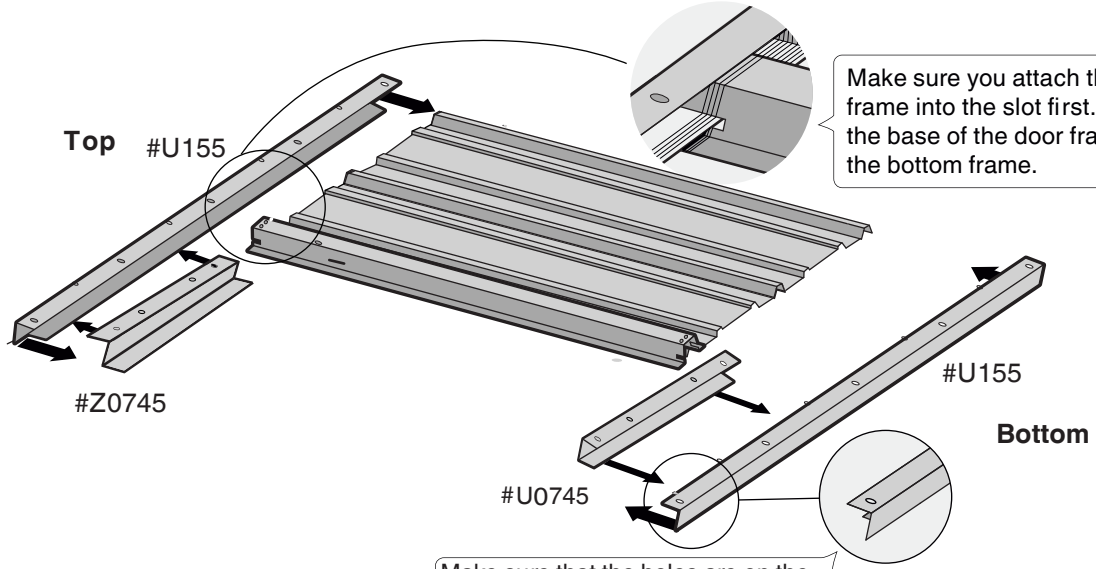
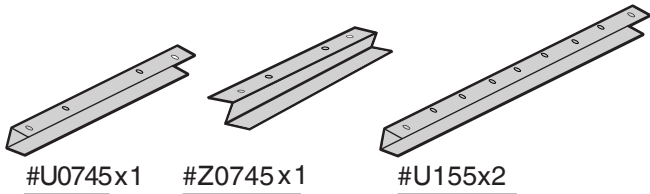
All pre-drilled holes should line up with the peaks of the steel sheet. If this varies squeeze together or stretch out the panels to make sure they line up. Do not add screws to the top and bottom holes at each end of the panel. These need to be left undone.

#### STEP 4 Assemble the front wall panel

a

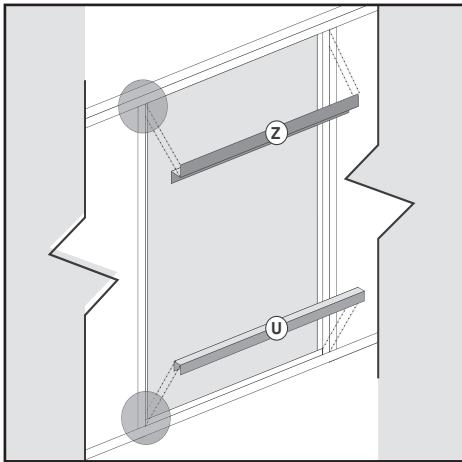


b

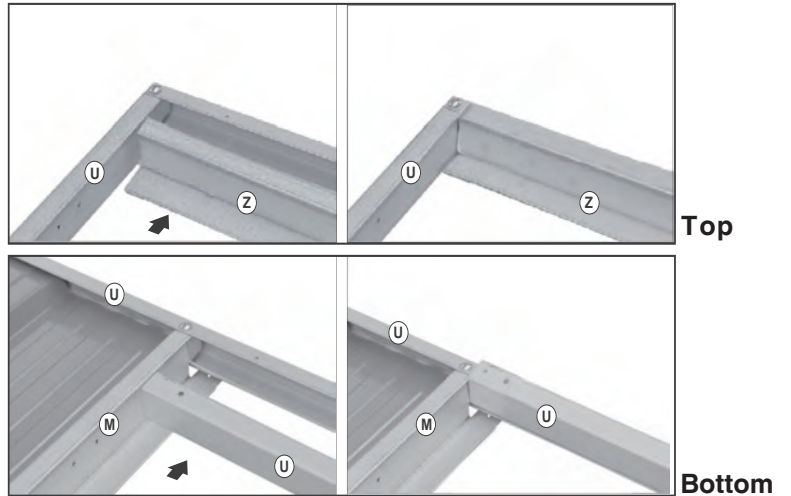


Make sure you attach the bottom frame into the slot first. Then slide the base of the door frame inside the bottom frame.

Make sure that the holes are on the correct side before fixing in place.



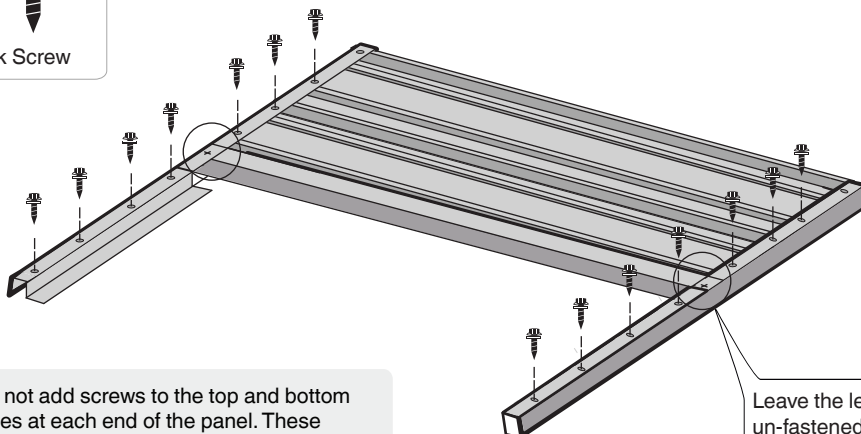
Fit the top door spacer and the bottom door spacer to the front wall panel as shown. Some pilot holes may need to be drilled



c



Tek Screw



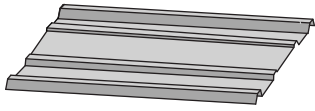
Do not add screws to the top and bottom holes at each end of the panel. These need to be left undone.



Leave the left and right door frames (#MR180, #U180) un-fastened at this stage. This will help with any adjustments needed later on. Once the door positioning is finalised, add the necessary screws.

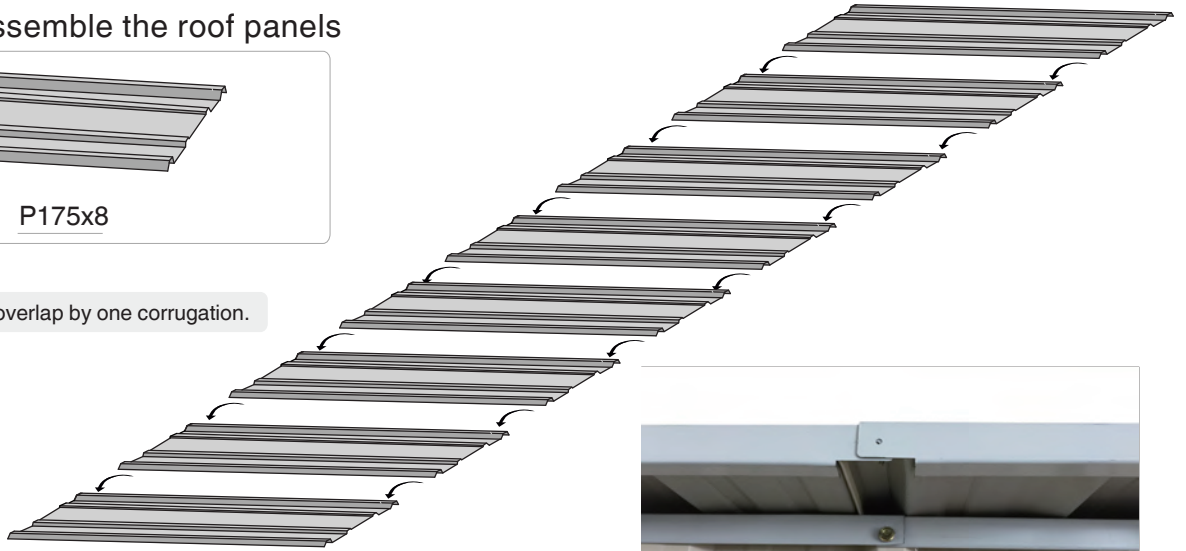
## STEP 5 Assemble the roof panels

a

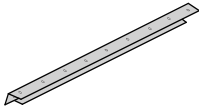


P175x8

i All panels should overlap by one corrugation.

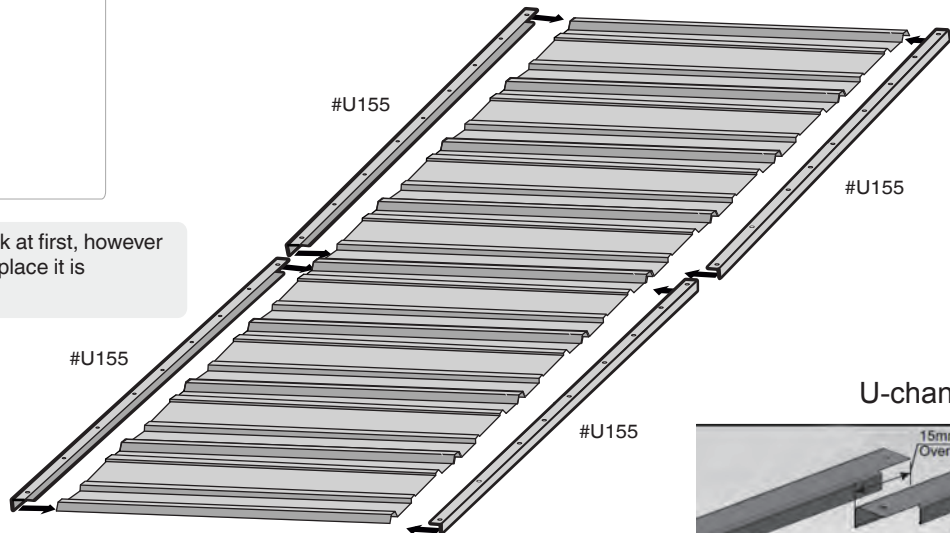


b

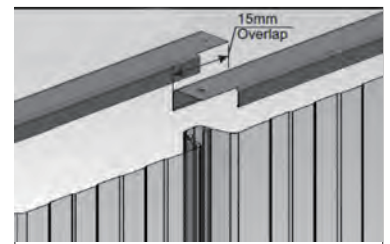


#U155x4

The roof joint will seem weak at first, however when the roof is secured in place it is completely rigid.



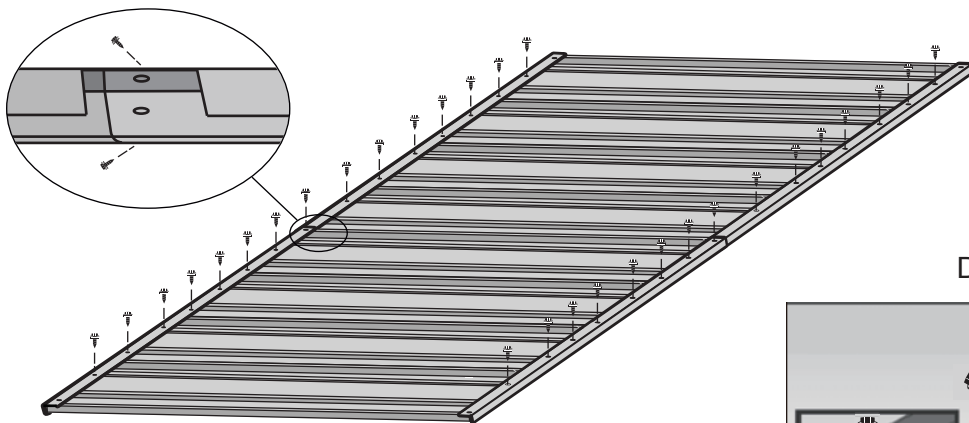
U-channel joint



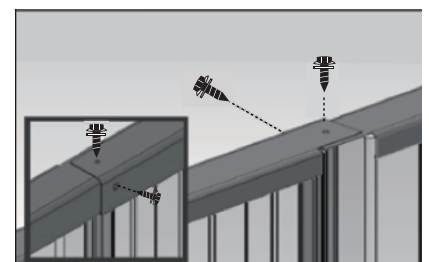
c



Tek Screw

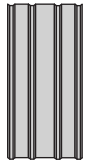


Drill screw in joint

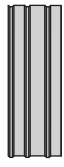


STEP 6 Assemble the doors

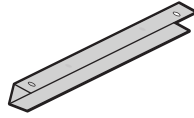
a



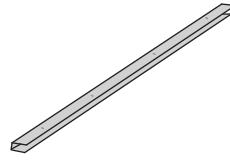
#E175 x 410 x1



#E175 x 350 x1



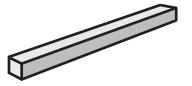
#U074x2



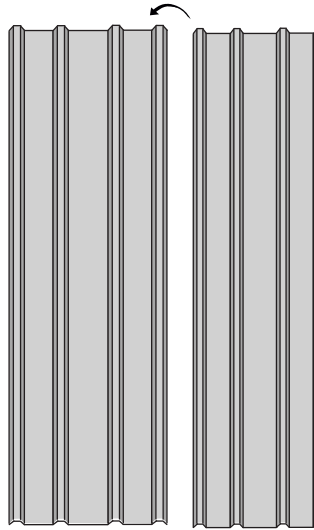
#U175 x 2



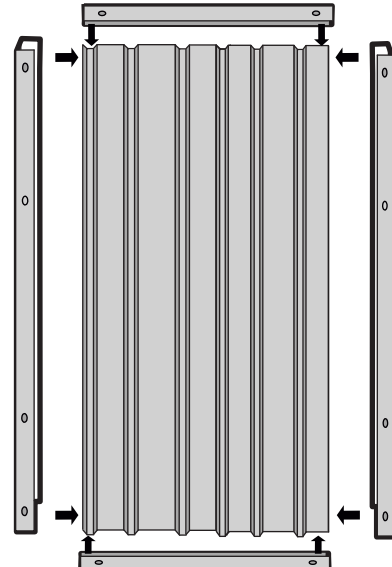
Rivet



D173x1  
Square tube

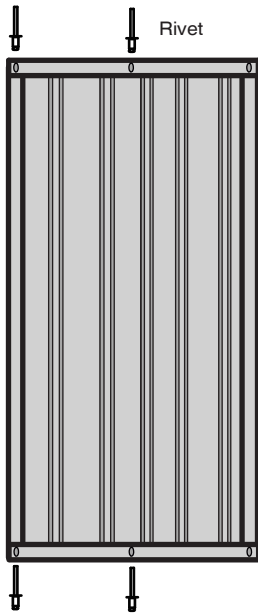
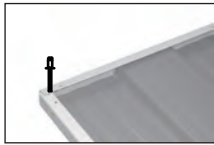


#E175 x 410 x1 #E175 x 350 x1

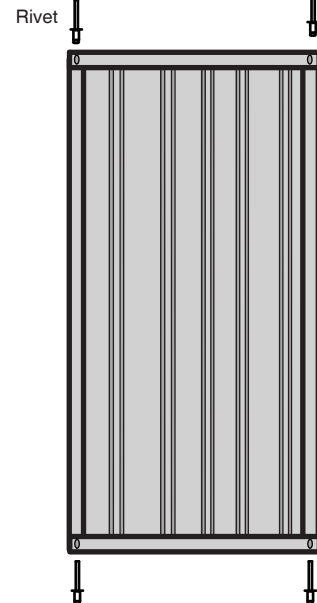


#U175

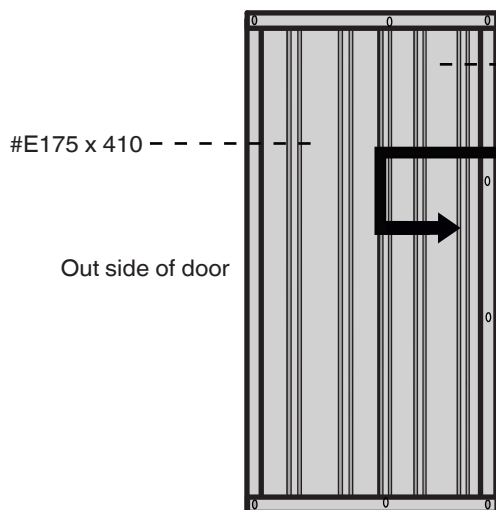
#U175



Out side of door



In side of door



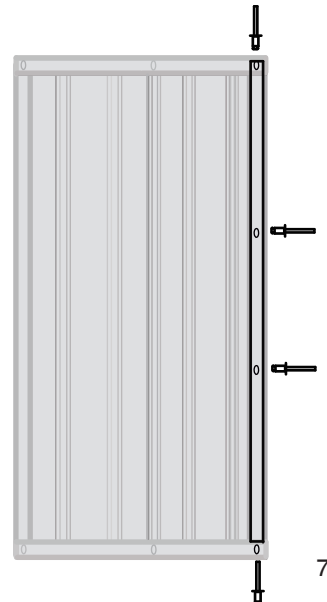
#E175 x 410

Out side of door

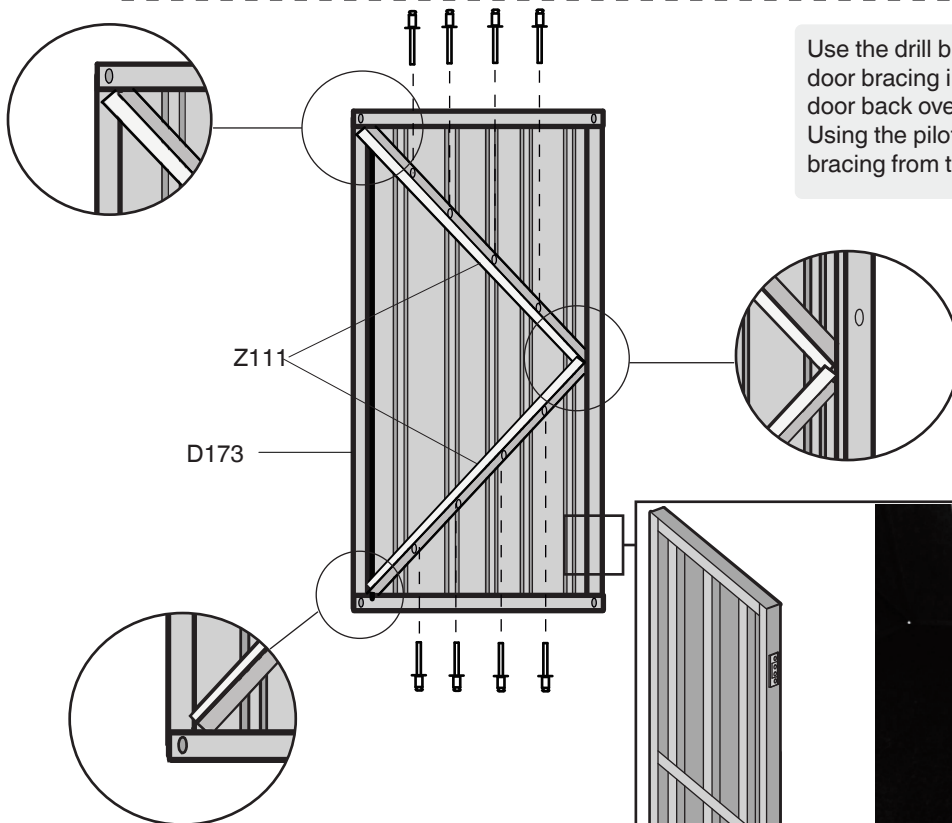
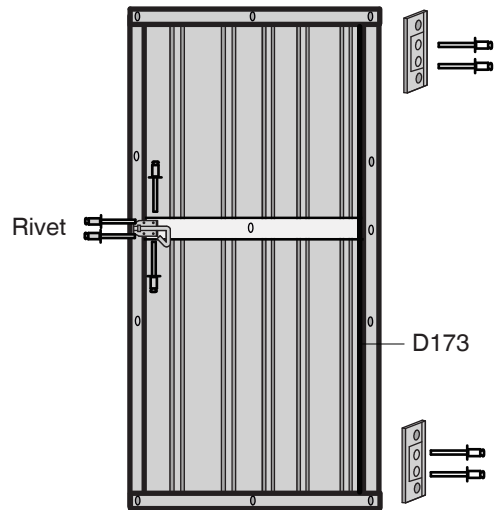
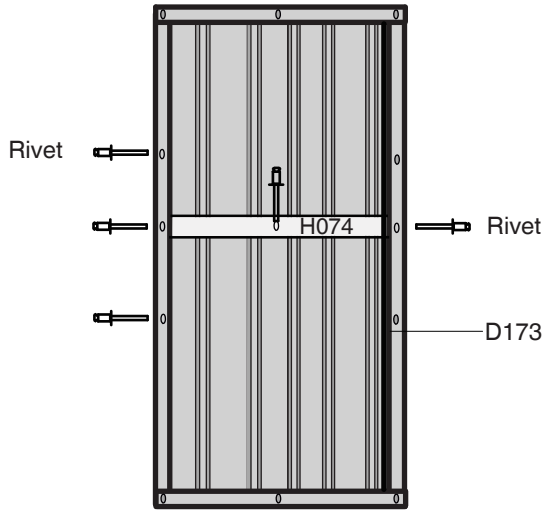
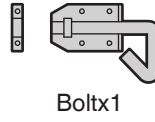
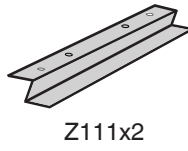
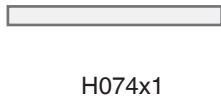
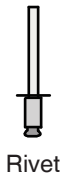
#E175 x 350

insert D173 square  
tube into U175 frame  
screw rivets

D173  
Square tube



b



Use the drill bit to drill pilot holes through the door bracing into the door sheeting. Flip the door back over to the front side facing up. Using the pilot holes drilled before, fix the door bracing from the front with Rivet and Spacer.





rivets with washer



galvanized handle



door center strip



door top strip



door bottom strip



door bar



handle hasp



hinges



door inside



door outside



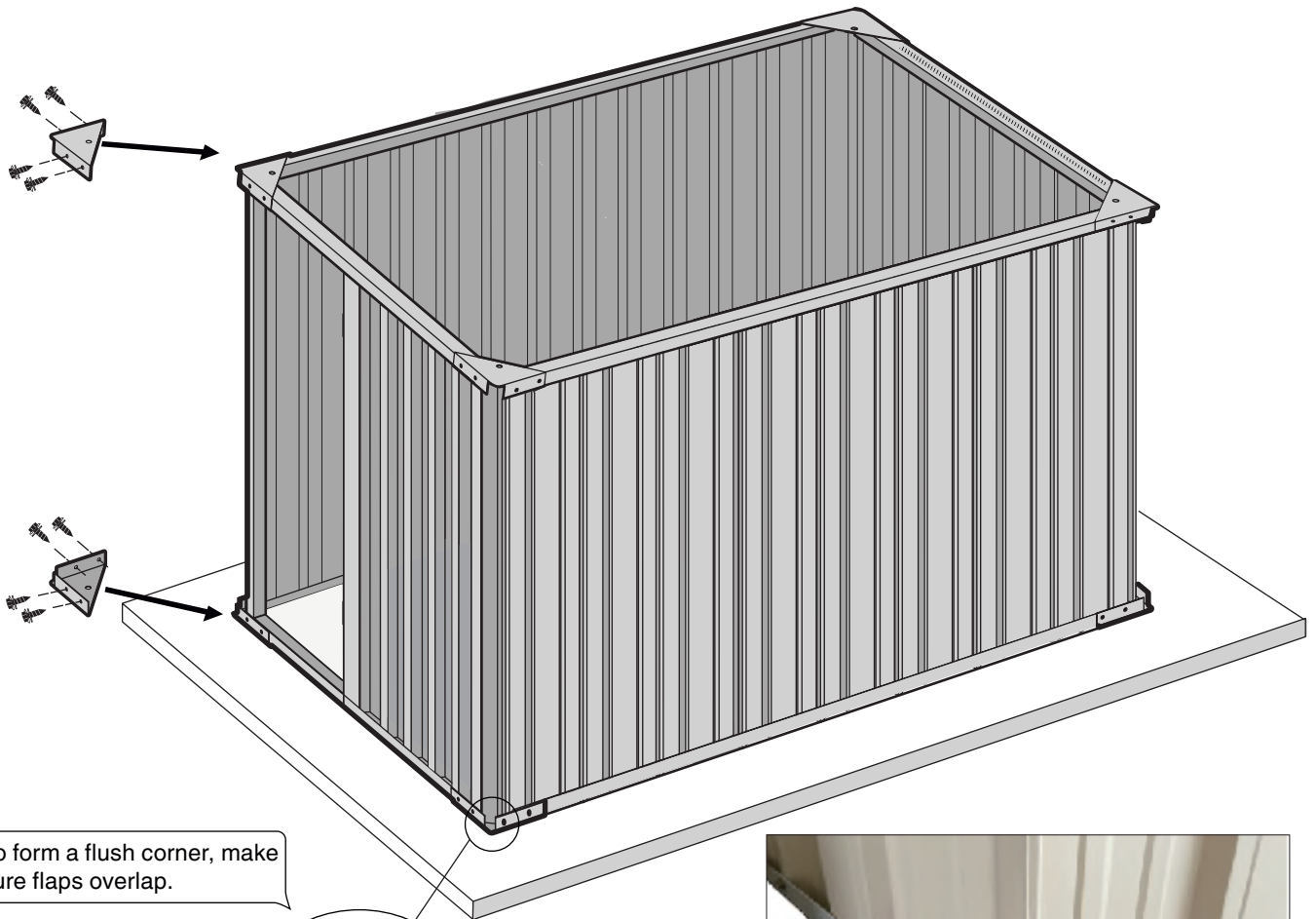
## STEP 7 Constructing the walls



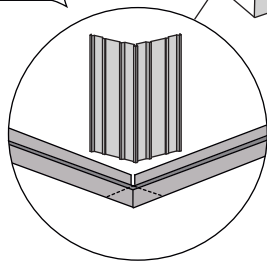
Corner Anchor x8



Tek Screw



To form a flush corner, make sure flaps overlap.

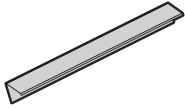


To form a flush corner connection, make sure the end corrugations overlap as shown above. When adding the lower corner brackets, place a spirit level or block of wood underneath the corner of the shed. This will ensure that the two walls being connected stay square as you drill the screws in.

OPTIONAL - Once you have all four walls up and secure, we suggest that you run sealant between the overlapping panels on each corner of the shed. This will protect it from heavy weather. Afterwards, tack the sheets together down the length of each corner.

## STEP 8 Installing the roof

a



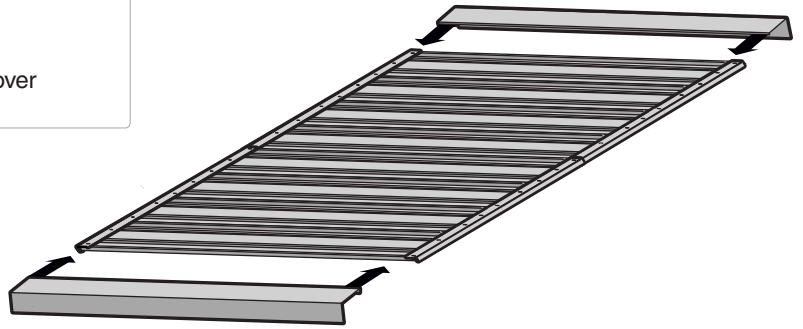
#G 175x2




Tek Screw



Corner Cover




 There are no predrilled holes in part #G175, use screws  $\phi 4.2$  drill bit to fasten in place.

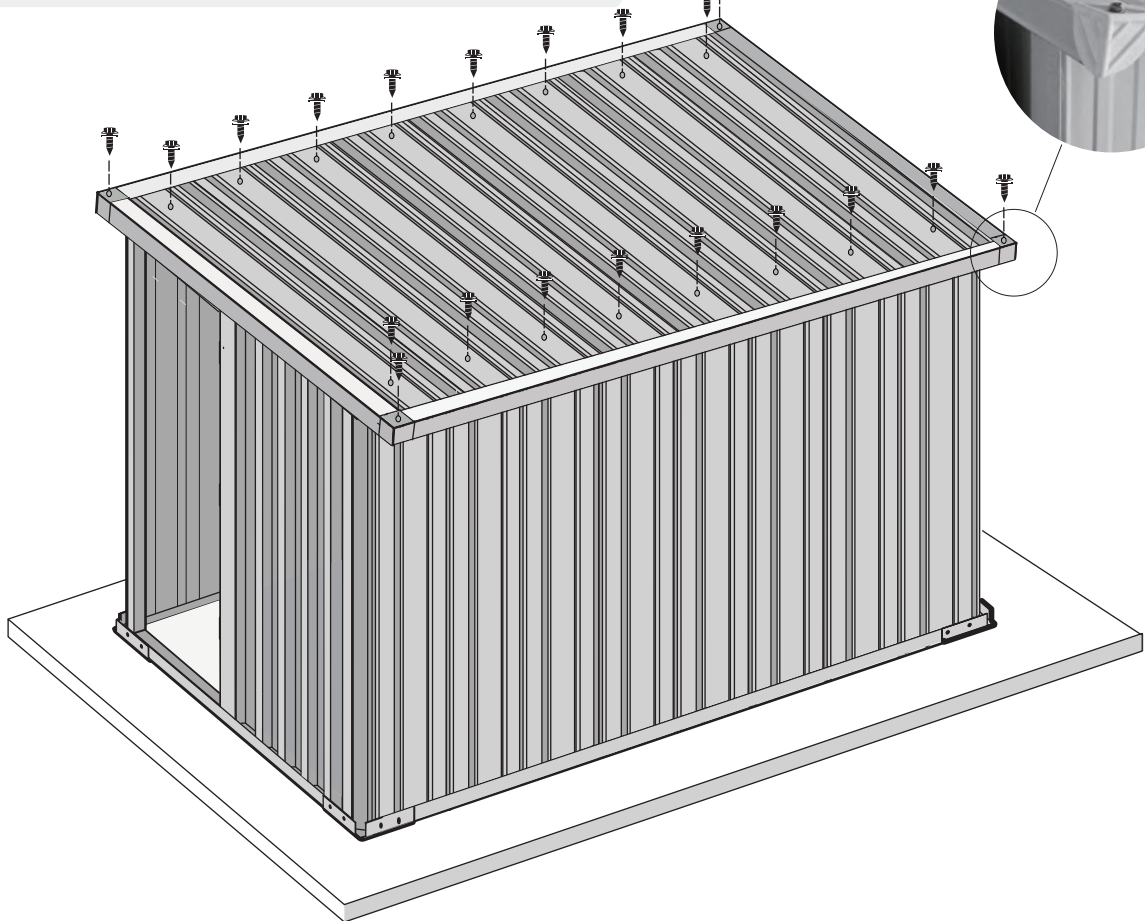
b



Tek Screw

Once you have your roof in position, use the self tapping Tek screws to secure the roof to the top of the shed walls. To secure the roof correctly we recommend you drill the roof screws through the sheet at the base of the corrugation. Correctly position your roof screws by measuring the underside of the roof overhang from the roof edge to the wall. On the top side of the roof, measure this distance + 10mm from the roof edge to find the centre of the wall channel.

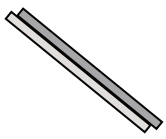
 Once you have your roof in position, go inside and drill up through the corner anchors of the shed. This will ensure you will have a guide when attaching the roof at the corners from above.





**STEP 9** Fitting Wall Bracing

a



Z130x8



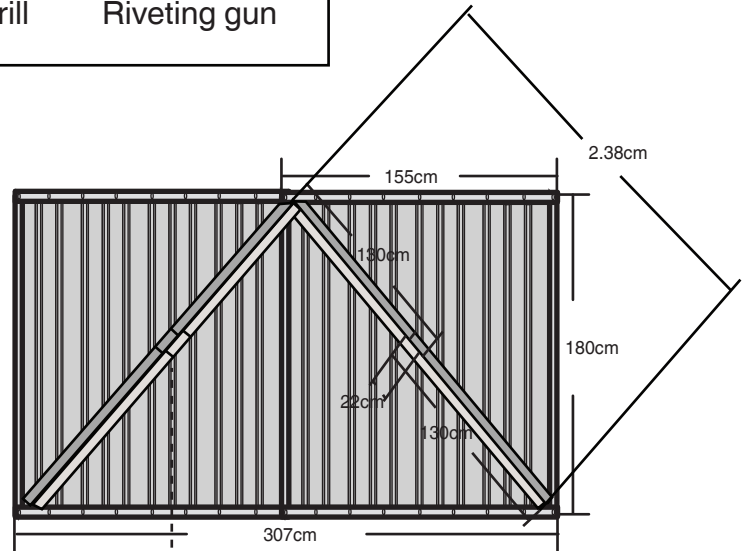
Rivet



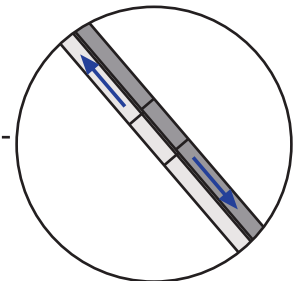
Electric drill



Riveting gun



for 2 side wall



First drill a hole from inside of wall panel, then fixed by revits from outside. please make 2 holes in middle of connection point and other equidistant holes for the rest of brace.

Take care to ensure that both ends of brace need insert into wall channel when wall brace fit on wall channel.



## STEP 10 Fitting the doors

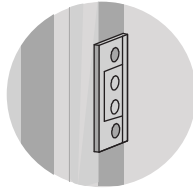
a



Rivet



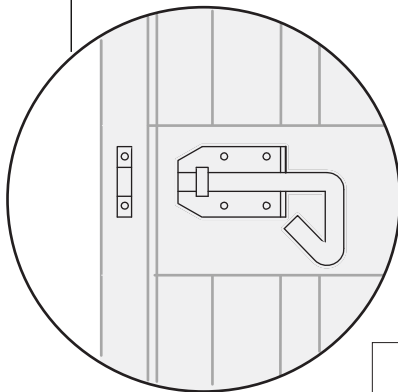
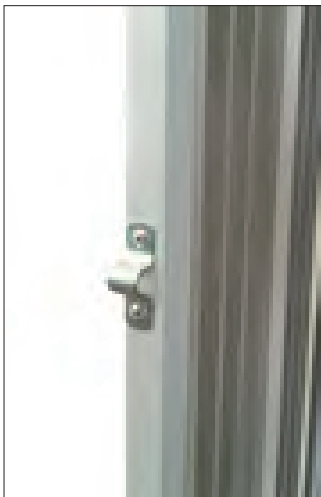
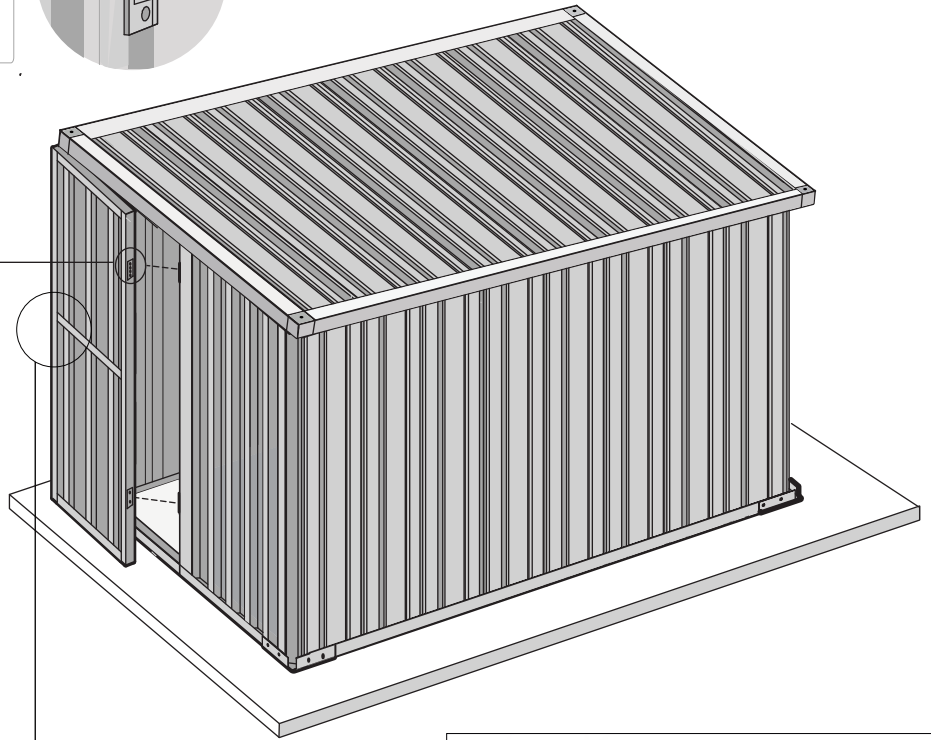
Philips Head Screw



When first fitting doors, attach the hinges to the shed using the Philips Head Screws. This makes it easier to change the position later if required to get a good fit. The screws can be changed for rivets when the door position is finalised.



The screws can be changed for rivets when the door position is finalised



Drill pilot holes to accommodate the pad bolt keeper and then fix with rivets



# Door Adjustment Tips

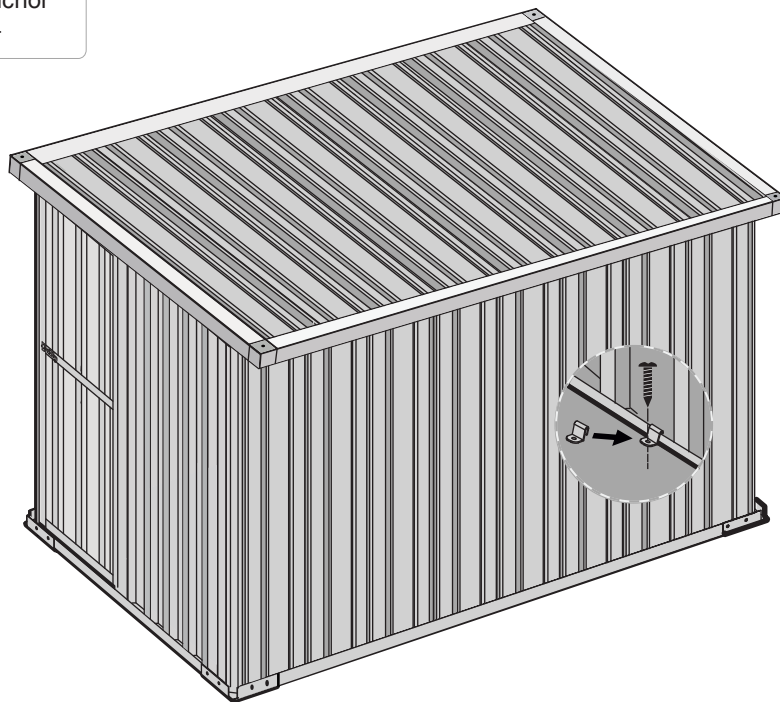
Check that the doors are properly aligned when closed, then if needed adjust door frame/jamb/hinges accordingly. To create or reduce space, adjust the door frames (which have been left unfastened as per Step 3 - C) by sliding them back and forth until the doors sit square. Once you are happy with the door position, add screws to secure the left and right door frames (#U180, #MR180). If your shed is not square, more adjustment of screw placement may be needed.



Hook  
Anchor x4



Wood Anchor  
Screw x4



Once you are happy that your shed is square, level and situated where you want it, fix it to your chosen base with the hook anchors provided

# Care & Maintenance

---

## **FINISH**

For a long lasting finish, periodically clean and wax the exterior of your unit. Remember to make sure you remove any metal drill filings after construction as this may cause corrosion. Touch up scratches as soon as you notice them.

## **ROOF**

Keep the roof clear of leaves and snow with a long handled, soft-bristle broom. Heavy amounts of snow on the roof can damage the structure, making it unsafe to enter.

## **DOORS**

Keep doors closed and locked to prevent wind damage.

## **FASTENERS**

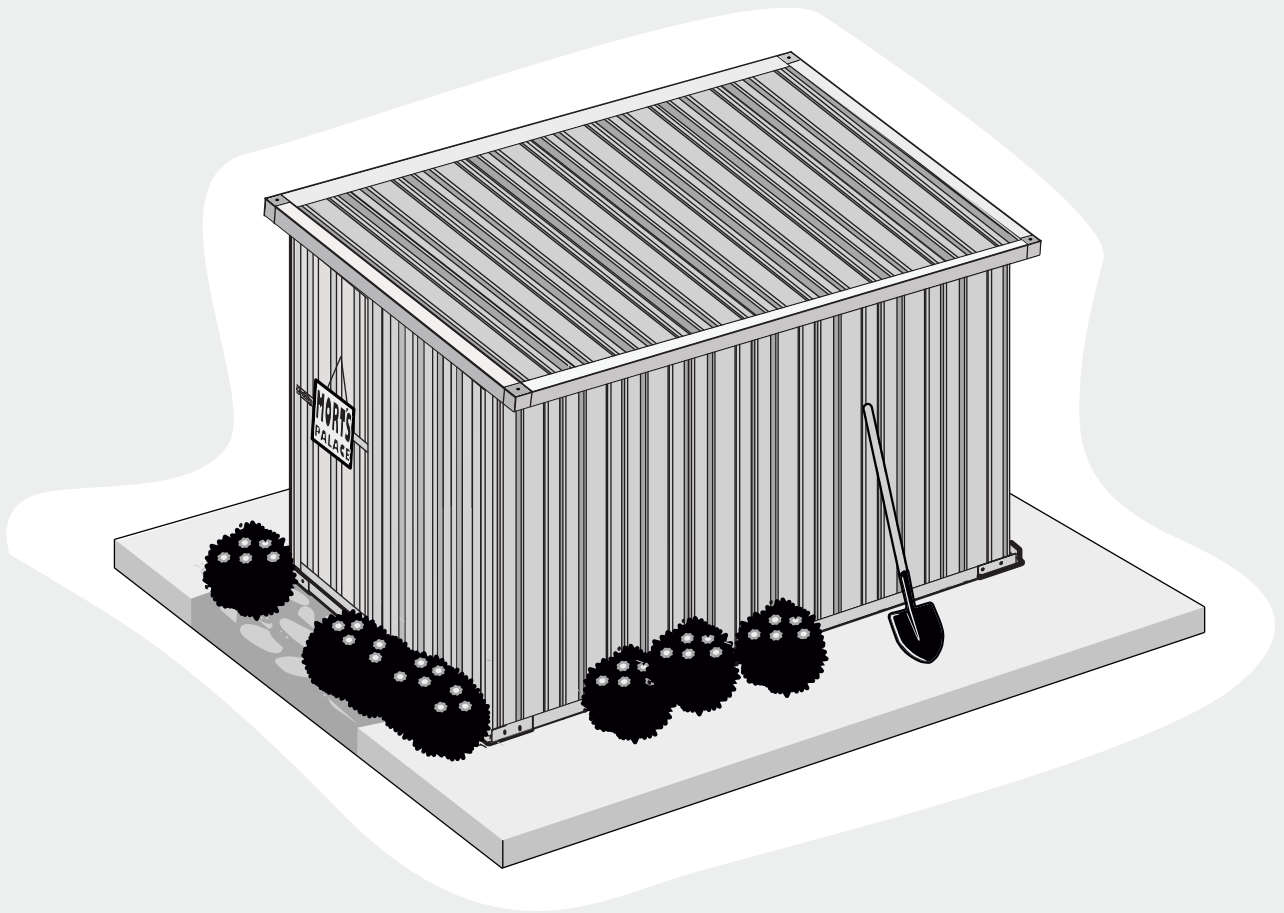
Use all washers supplied to protect the shed panels against weather. Regularly check your building for loose screws or bolts and retighten them as necessary.

## **OTHER TIPS**

- Do not store swimming pool chemicals in your building as they can cause corrosion.
- Use silicone caulking to further watertight seals throughout the building.
- Peel off part number stickers and clean with soap/water.
- Use silicone to further weatherproof seals around the shed (not included).

# CONGRATULATIONS

Now it's up to you to add those finishing touches.



Still having trouble? Just give us a call or send us an email. Head over to [tradetested.co.nz](https://tradetested.co.nz) or [tradetested.com.au](https://tradetested.com.au) for all of our contact details and opening hours. We will be able to help.

**tradetested**

TRADE PRICES DELIVERED NATIONWIDE